



**Precision  
Mixers**

**Precision 60-Quart Mixer**

**Model HD-60**

## Designed Exclusively for Pizzerias

### Standard Equipment and Features

- » 208/240 Volt
- » Single or 3-Phase
- » Gear-Reduction Transmission
- » 30-Minute Timer with automatic shut-off
- » 3-Speed
- » #12 Attachment Hub
- » Stainless Steel Bowl Guard
- » Bowl Lift Safety
- » Manual Bowl Lift
- » Dough Hook
- » Beater/Paddle
- » 80-quart Stainless Steel Bowl
- » Bowl Dolly
- » Bowl Locking Handles
- » Bowl Stabilizer
- » **Industry Leading 7-Year Unconditional Warranty on All Gears & Shafts in the Planetary & Transmission**
- » **Also, Our Standard 1-Year / 3-Year Warranty**



### Optional Accessories

- » 40-quart Knockdown Plate
- » 40-quart Bowl
- » 40-quart Paddle, Hook, and whip
- » Electric Bowl Lift
- » 60-quart bowl

Please specify when ordering mixer.

**The Perfect Pizza Machine  
at the perfect price!**

**[www.pizzamixers.com](http://www.pizzamixers.com)**

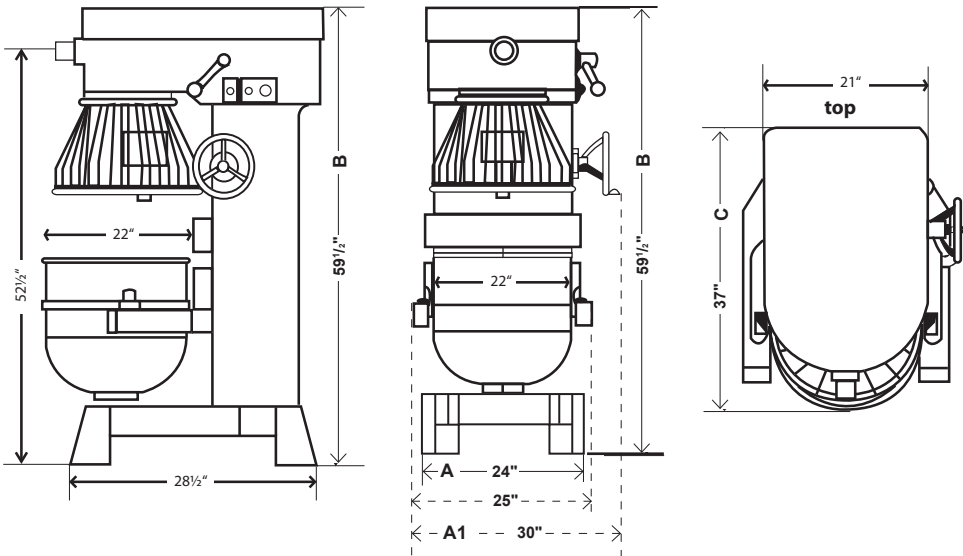
**Precision North America, LLC.**  
**60 Commerce Ave.**  
**Albany, New York 12206**



**www.precisionmixers.com • Phone: 1-877-R-MIXERS (1-877-764-9377) • Fax: 518-462-3389**



### Specifications and Dimensions



#### Electrical:

- 208/240 Volt
- 1 or 3-Phase Power
- Entela Approved

#### Weight:

- 880 Pounds Net
- 1005 Domestic Shipping

#### Warranty:

- 3-Year Limited Parts, (Motor, Transmission, and Drive-Train)
- 1-Full Year Parts and Labor

#### Amp Draw Specifications

Phase	Volts	Amps
1	208	17
1	240	15
3	208	16.1
3	240	14

#### Dimensions

##### Mixer Body:

A: 24" Wide A1: 30" Wide

B: 59 1/2" Wide

C: 37" Wide

##### Bowl:

Outside w/handles: 25"

Inside: 19 14/16"

Height: 19 1/2"

Lip: 21 1/2"

**NOTE:** Hub attachment not to be used while mixing

#### Benefits

##### Motor:

- 4-Horse Power, 3-Phase
- 2-Horse Power, Single Phase
- Manual Reset Motor Overload

##### Bowl Lift:

- Locks in any position

##### Bowl Stabilizer:

- Flat Exterior Bowl Base for Bowl Stability

##### Attachment Hub:

- Uses standard # 12 attachments

##### Timer:

- Automatic shutoff at desired mixing time

**Easy Maintenance and Service  
National Network of Service  
Professionals**

#### Safety features

##### Bowl Guard:

- Auto shut-off when bowl guard is opened.

##### Lift Safety:

- Auto shut-off when bowl is lowered.

Speed	Agitator RPMs	Attachment Hub RPM's
1	65	74
2	124	142
3	208	239

Specifications are subject to change.

**Precision North America, LLC.**  
60 Commerce Ave.  
Albany, New York 12206



www.precisionmixers.com • Phone: 1-877-R-MIXERS (1-877-764-9377) • Fax: 518-462-3389