



Standard Equipment and Features

- » 1 Horse Power Motor
- » 115 Volt
- » 12.67 Amps draw
- » Single Phase
- » 115/60/1
- » Gear-Driven Transmission
- » 30-Minute Timer with automatic shut-off
- » 3-Speed
- » #12 Attachment Hub
- » Safety Bowl Guard
- » Bowl Lift Safety
- » Dough Hook
- » Wire Whip
- » Beater/Paddle
- » Stainless Steel Bowl
- » Bowl Locking Handles
- » Bowl Stabilizer
- » **Industry Leading 3-Year-Limited Parts Warranty**
- » **1-Year Full Parts and Labor Warranty**



Built to Last . . . Priced to Save!

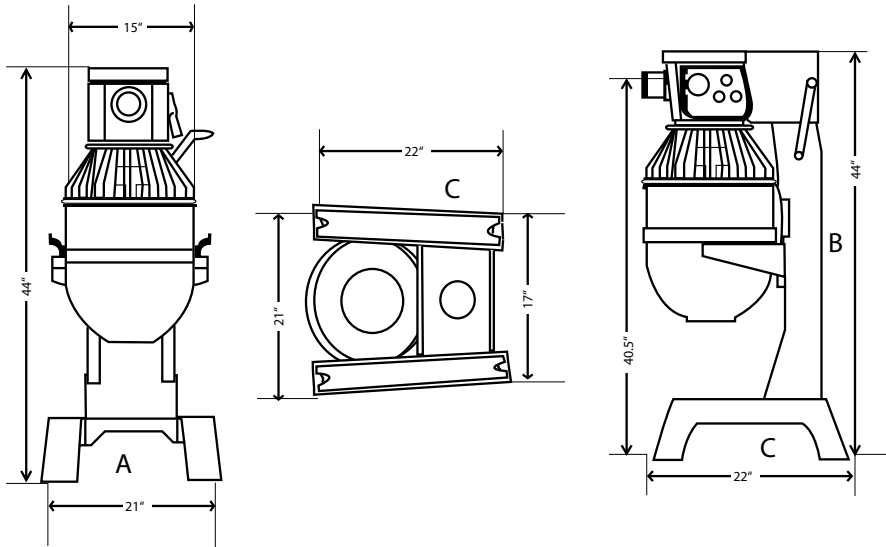
Precision North America, LLC.
60 Commerce Ave.
Albany, New York 12206



www.precisionmixers.com • Phone: 1-877-R-MIXERS (1-877-764-9377) • Fax: 518-462-3389



Specifications and Dimensions



Electrical:

- 115Volt
- 1-Phase Power
- Entela Approved
- 220V, 1 or 3 phase available

Weight:

- 352 Pounds Net
- 427 Domestic shipping

Warranty:

- 3-Year Limited Parts, (Motor, Transmission, and Drive-Train).
- 1-Full Year Parts and Labor.

Amp Draw Specifications

Phase	Volts	Amps
1	115	12.67

Dimensions

Mixer Body:

- A: 21" Wide
- B: 44" High
- C: 22" Length

Bowl:

- Outside w/handles: 18½"
- Inside: 14½"
- Height: 15½"

Benefits

Motor:

- Heavy-Duty, 1 Horse Power Motor
- Manual Reset Motor Overload

Bowl Stabilizer:

- Flat Exterior Bowl Base for Bowl Stability

Attachment Hub:

- Uses standard # 12 attachments

Power Supply:

- 6' Length Power Cord

Timer:

- Automatic shutoff at desired mixing time

Safety features

Bowl Guard:

- Auto shut-off when bowl guard is opened.

Lift Safety:

- Auto shut-off when bowl is lowered.

Speed	Agitator RPMs	Attachment Hub RPM's
1	78	136
2	140	245
3	250	437

NOTE: Hub attachment not to be used while mixing

Easy Maintenance and Service
National Network of Service Professionals

Specifications are subject to change.

Precision North America, LLC.
60 Commerce Ave.
Albany, New York 12206



www.precisionmixers.com • Phone: 1-877-R-MIXERS (1-877-764-9377) • Fax: 518-462-3389